

Network Video Recorder

NVR301-X-Series



Features

- Support Ultra 265/H.265/H.264 video formats
- 4/8/16-channel input
- Support mainstream cameras of ONVIF conformance(Profile S, Profile G, Profile T) and RTSP protocols
- Support 1-ch HDMI, 1-ch VGA
- HDMI and VGA simultaneous output
- Up to 4K resolution recording
- Support cloud upgrade

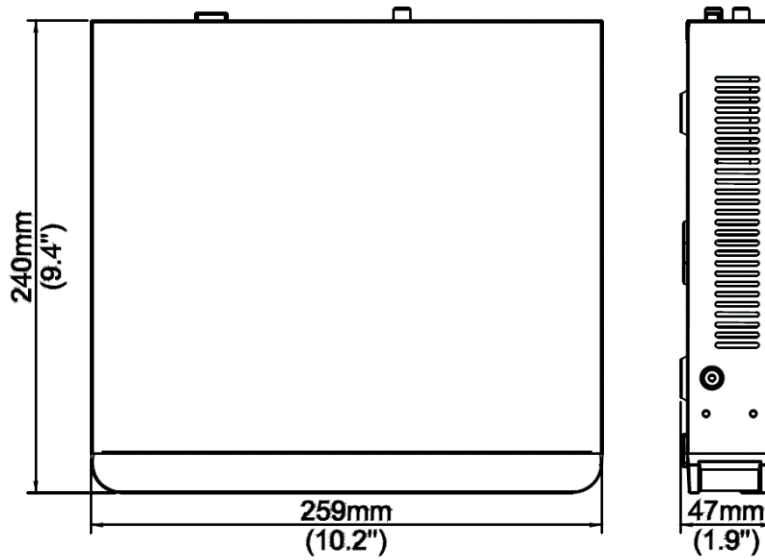
Specifications

Decoding	Description
Decoding Format	Ultra 265, H.265, H.264
Decoding Capability	NVR301-04X:2 x 4K@30, 3 x 5MP@30, 4 x 4MP@30 NVR301-08X:2 x 4K@30, 3 x 5MP@30, 4 x 4MP@30, 5 x 3MP@30,8 x 1080P@30 NVR301-16X:2 x 4K@30, 3 x 5MP@30, 4 x 4MP@30, 5 x 3MP@30,8 x 1080P@30, 16 x 720P@30
Audio Compression	G.711A, G.711U
Network	Description
Incoming Bandwidth	64Mbps

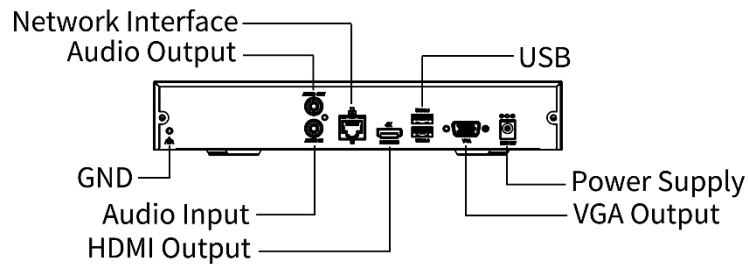
Outgoing Bandwidth	64Mbps
Remote Users	128
Protocols	TCP/IP;P2P;UPnP;NTP;DHCP;PPPoE;HTTP;HTTPS;DNS;DDNS;SNMP;SMTP;RTSP
Browser(Plugin)	Windows:IE(IE10/11), Firefox (version 52.0 and above), Chrome(version 45 and above), Edge(version 79 and above)
Video/Audio Input	Description
IP Video Input	NVR301-04X:4-ch NVR301-08X:8-ch NVR301-16X:16-ch
RCA Audio Input	1-ch
Video/Audio Output	Description
HDMI Output	HDMI:4K(3840x2160)/30Hz, 1920x1080/60Hz, 1920x1080/50Hz, 1600x1200/60Hz, 1280x1024/60Hz, 1280x720/60Hz, 1024x768/60Hz
VGA Output	VGA:1920x1080/60Hz, 1920x1080/50Hz, 1600x1200/60Hz, 1280x1024/60Hz, 1280x720/60Hz, 1024x768/60Hz
RCA Audio Output	1-ch
Liveview Display	NVR301-04X:1/4 NVR301-08X:1/4/6/8/9 NVR301-16X:1/4/6/8/9/16
Corridor Mode Screen	NVR301-04X:3/4 NVR301-08X:3/4/5/7/9 NVR301-16X:3/4/5/7/9/10/12/16
Two-way Audio	Description
Two-way Audio	1-ch, RCA(Using the audio input and output)
Snapshot	Description
FTP/Schedule/Event Snapshot	4-ch snapshot, up to D1 resolution
Recording	Description
Recording Resolution	8MP/6MP/5MP/4MP/3MP/1080P/960P/720P/D1/2CIF/CIF
Synchronous Playback in Local	NVR301-04X:4-ch NVR301-08X:8-ch NVR301-16X:16-ch
Smart	Description
VCA Detection by IPC	Face Detection;SIP(Intrusion Detection, Cross Line Detection, Enter Area, Leave Area);Ultra Motion Detection(UMD);People Counting(People Flow Counting, Crowd Density Monitoring)
VCA Search	Motor Vehicle Search;Non-Motor Vehicle Search;Human Body Search;General Search;People Counting Report
Smart by IPC	NVR301-04X:Total 4-ch(Face Detection, SIP, UMD) NVR301-08X/NVR301-16X:Total 8-ch(Face Detection, SIP, UMD)
Alarm	Description
General Alarm	Defocus Detection;Scene Change Detection;Object Left Behind;Object Removed;Auto Tracking;Motion Detection;Tampering;Human Body Detection;Video Loss;Alarm Input;Audio Detection
Alert Alarm	IP Conflict;Network Disconnected;Disk Offline;Disk Abnormal;Illegal Access;Hard Disk

	Space Low;Hard Disk Full;Recording/Snapshot Abnormal
GUI Language	Description
GUI Language	38 languages: Simplified Chinese, Traditional Chinese, English, Vietnamese, Thai, Turkish, Spanish (Latin America), Portuguese (Brazil), Spanish, Portuguese, French, German, Italian, Dutch, Polish, Czech, Hungarian, Slovak, Russian, Hebrew, Arabic, Ukrainian, Estonian, Bulgarian, Greek, Romanian, Danish, Swedish, Norwegian, Finnish, Croatian, Slovenia, Serbia, Korean, Japanese, Latvian, Lithuanian, Persian
Hard Disk	Description
SATA	1 SATA Interface
Capacity	Up to 10TB for each HDD(The maximum HDD capacity varies with environment temperature and hard disk size)
External Interface	Description
Network Interface	1 RJ45 10M/100M self-adaptive Ethernet Interface
USB	Rear panel: 1 x USB3.0, 1 x USB2.0
RS485	N/A
RS232	N/A
Alarm In	N/A
Alarm Out	N/A
Power Supply	DC 12V/2A
Working Environment	Description
Working Temperature	-10 ° C ~ 55 ° C (14 ° F ~ 131 ° F)
Working Humidity	≤ 90% RH (non-condensing)
Power Consumption (without HD D)	≤ 8W
Dimensions	Description
Weight (without HDD)	≤ 0.98Kg (2.16lb)
Dimensions	260mm × 240mm × 47mm (10.2"×9.4"×1.9")
Certification	Description
Certification	CE;FCC;UL;RoHS;WEEE
CE	EN 55032, EN 61000-3-3, EN IEC 61000-3-2, EN 55035
FCC	Part15 Subpart B

Dimensions



Rear Panel



Zhejiang Uniview Technologies Co., Ltd.

No. 369, Xietong Road, Xixing Sub-district, Binjiang District, Hangzhou City, 310051, Zhejiang Province, China

Email: overseasbusiness@uniview.com; globalsupport@uniview.com

<http://www.uniview.com>

©2023-2024 Zhejiang Uniview Technologies Co., Ltd. All rights reserved.

*Product specifications and availability are subject to change without notice.

*Despite our best efforts, technical or typographical errors may exist in this document. Uniview cannot be held responsible for any such errors and reserves the right to change the contents of this document without prior notice.